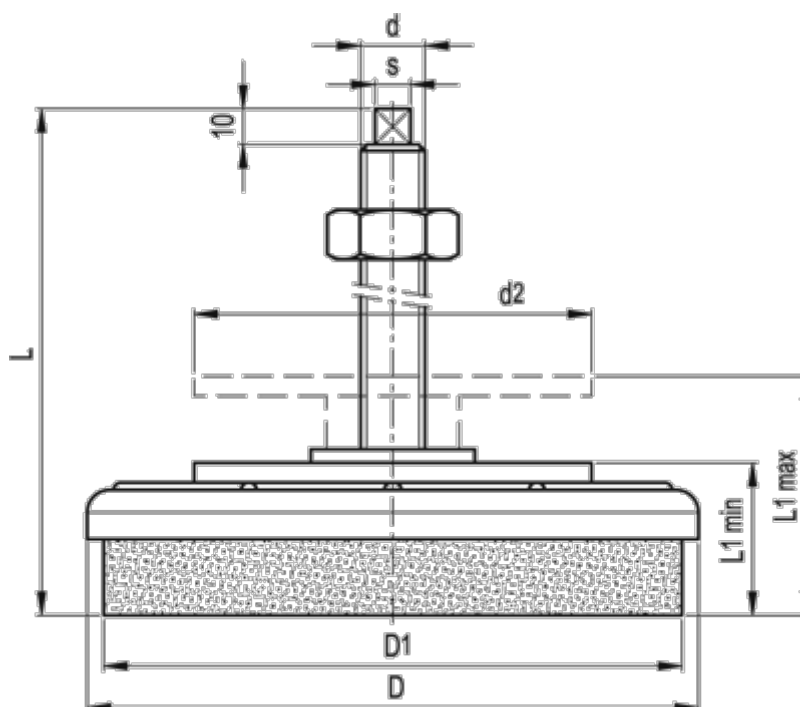


Article number: 2310415141

Description: E+G Vibration-damping levelling element
LW.A-200-M20x1.5x170

Measures



d	= M20x1.5	s	= 12x12
D	= 200	Static load (N)	= 40000
d1	= 186	Stiffness (N/mm)	= 15000
d2	= 130	Weight (g)	= 4500
L	= 206		
L1 max.	= 80		
L1 min.	= 65		
Max deflection	= 2.7		